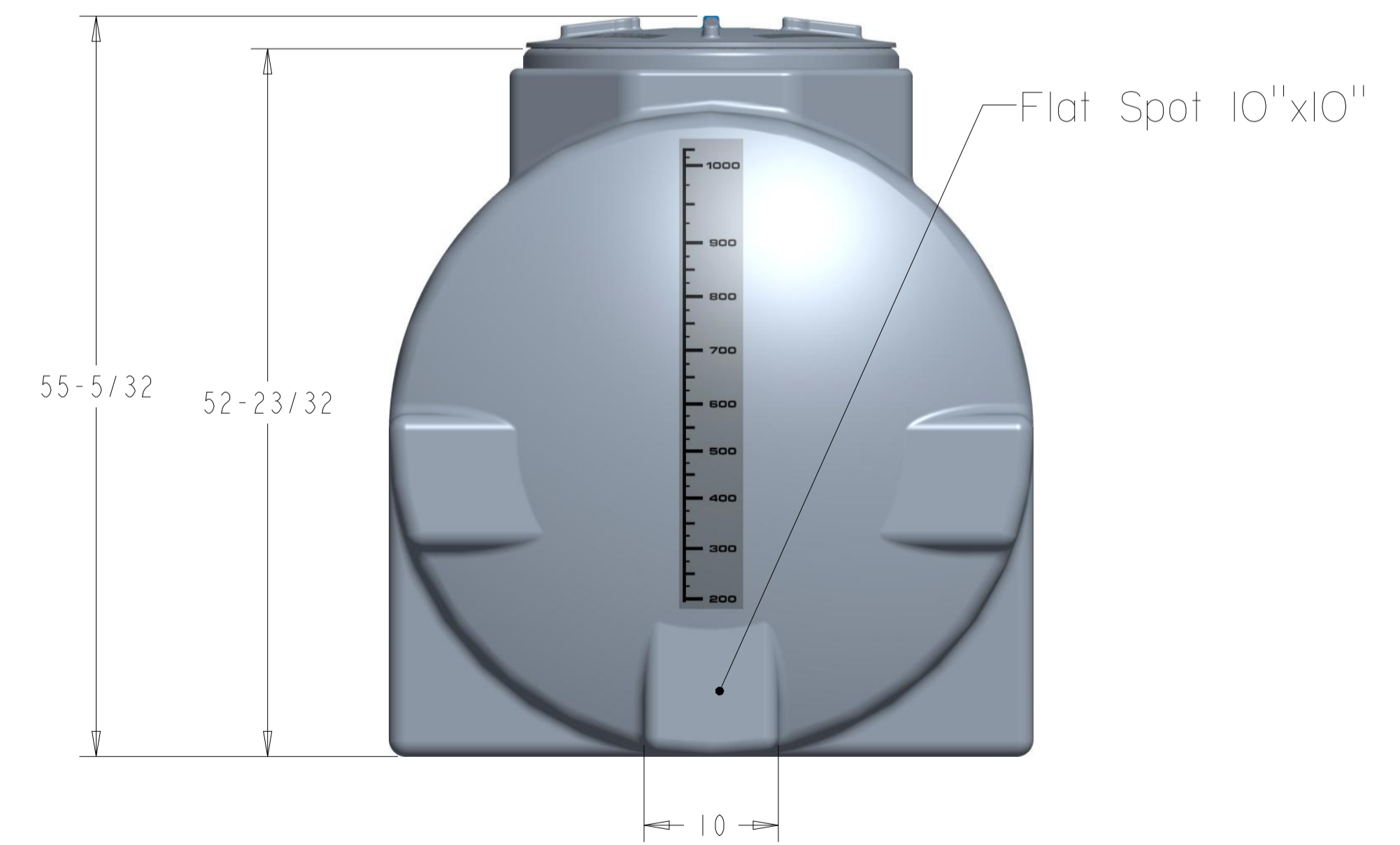
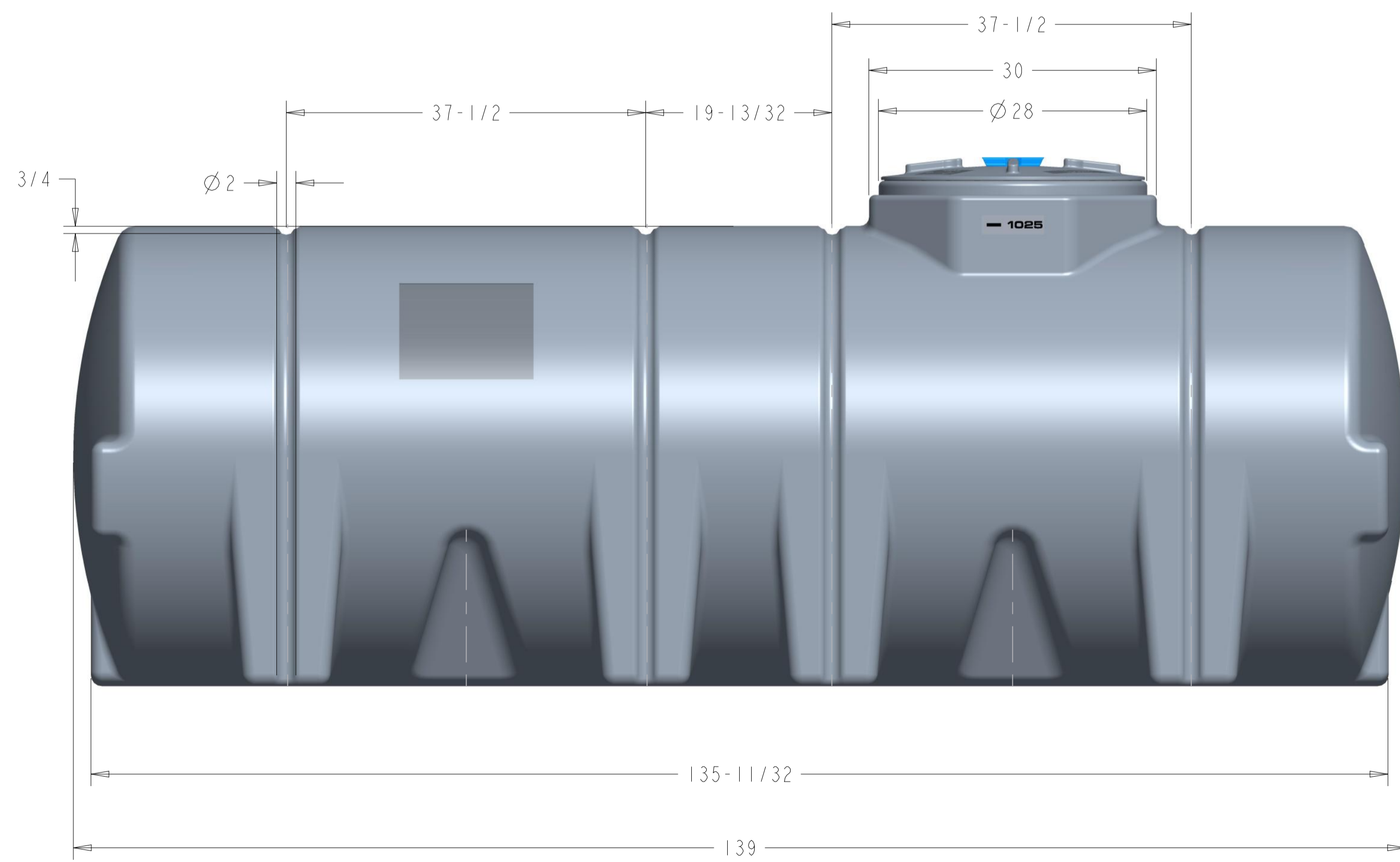


ESCALA 0.100



SCALE:	0.1	SIZE:	A1	
DATE:	28/11/18	PROJECT:	HORIZONTAL TANKS, USA.	
PROJECTION:		DESCRIPTION:	ASSY 1025 GALLONS HORIZONTAL LEG TANK	
			Pro/E CREO 3.0 DESIGN	